

DH-HAC-HDW1100R

1Megapixel 720P IR HDCVI Mini Dome Camera



Features

- 1/2.9" 1Megapixel CMOS
- 25/30fps@720P
- High speed, long distance real-time transmission
- Day/Night(ICR), AWB, AGC, BLC, 2DNR
- 3.6mm fixed lens (6mm optional)
- Max. IR LEDs length 20m, Smart IR
- DC12V

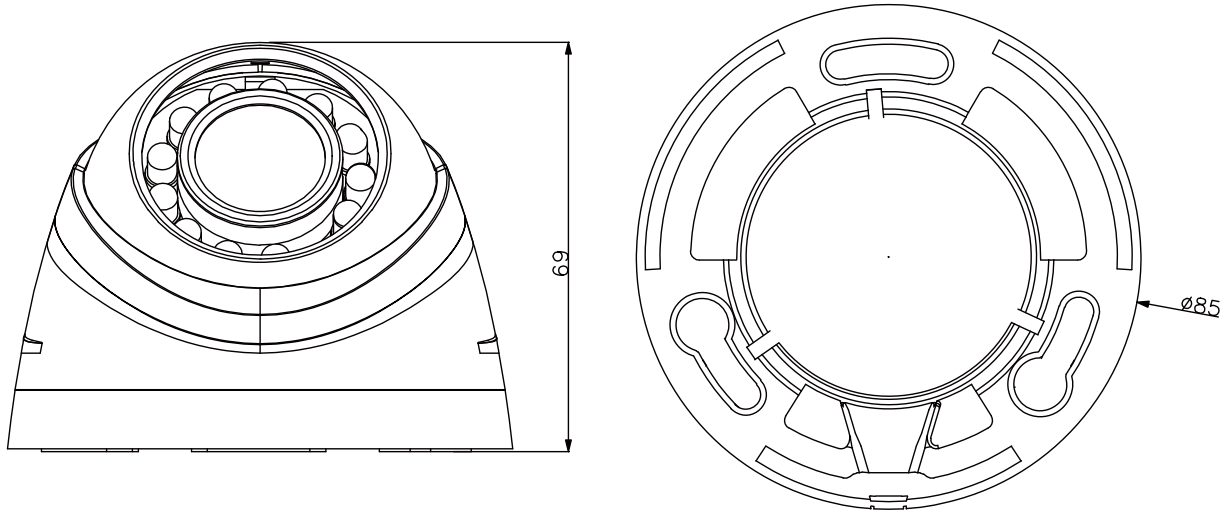
DH-HAC-HDW1100R

Technical Specifications

Model	DH-HAC-HDW1100RP	DH-HAC-HDW1100RN
Camera		
Image Sensor	1/2.9" 1Megapixel CMOS	
Effective Pixels	1280(H)×720(V)	
Electronic Shutter	1/50s~1/100,000s	1/60s~1/100,000s
Video Frame Rate	25fps@720P	30fps@720P
Synchronization	Internal	
Min. Illumination	0.05Lux/F1.6, 0Lux IR on	
Video Output	1-channel BNC HDCVI high definition video output	
Camera Features		
Max. IR LEDs Length	20m, Smart IR	
Day/Night	Auto(ICR) / Color / B/W	
Noise Reduction	2D	
Lens		
Focal Length	3.6mm (6mm optional)	
Angle of View	H: 88° (52°)	
Mount Type	M12	
General		
Power Supply	DC12V±25%	
Power Consumption	Max 2.2W	
Working Environment	-30°C~+60°C / Less than 95%RH (no condensation)	
Transmission Distance	Over 800m via 75-3 coaxial cable	
Dimensions	Φ85mm×69mm	
Weight	0.1kg	
Material	Plastic	

DH-HAC-HDW1100R

Dimensions (mm)



Accessories (optional)

