

DH-CA-FW191J-IN

800TVL Day/Night Waterproof IR Camera



Features

- 1/3" HDIS
- High resolution of 800TVL
- Day/Night(ICR), ATW, AGC, BLC
- 8mm fixed lens (3.6mm, 6mm,12mm,16mm optional)
- Max. IR LEDs length 50m, Smart IR
- IP66, DC12V

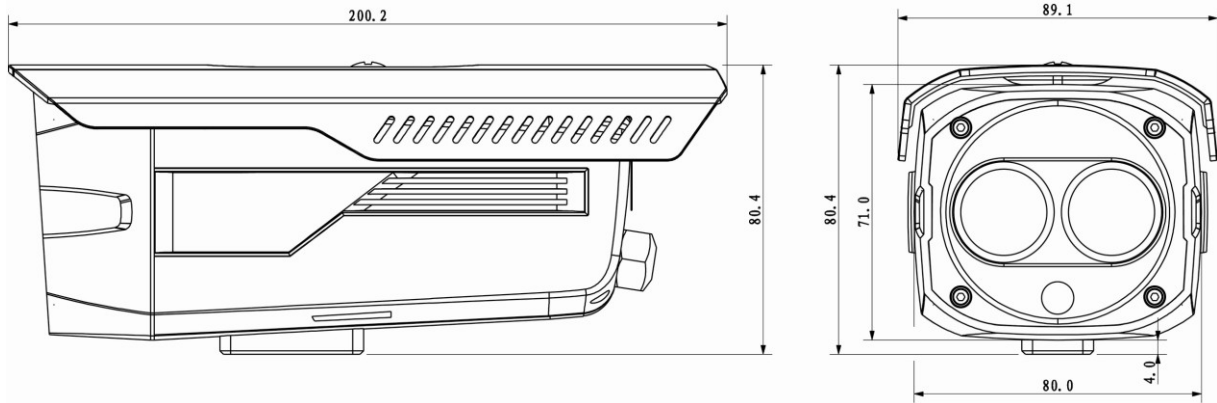
DH-CA-FW191J-IN

Technical Specifications

Model	DH-CA-FW191JP-IN	DH-CA-FW191JN-IN
Camera		
Image Sensor	1/3" HDIS	
Horizontal Resolution	800TVL	
Electronic Shutter	1/50s~1/100,000s	1/60s~1/100,000s
Synchronization	Internal	
Min. Illumination	0.02Lux@F1.2(0Lux IR LED on)	
S/N Ratio	More than 65dB(AGC Off)	
Video Output	1Vp-p Composite Output (75Ω/BNC)	
Camera Features		
Max. IR LEDs Length	50m, Smart IR	
Day/Night	Auto(ICR) / Color / B/W	
Backlight Compensation	BLC	
White Balance	Auto	
Gain Control	Auto	
Lens		
Focal length	8mm fixed lens (3.6mm, 6mm,12mm,16mm optional)	
Mount Type	M12	
General		
Power Supply	DC12V±10%	
Power Consumption	Max 6W	
Working Environment	-40°C~ +60°C / 20%~80%RH	
Ingress Protection	IP66	
Dimensions(W×D×H)	89.1mm×200.2mm×80.4mm	
Weight	450g	

DH-CA-FW191J-IN

Dimensions (mm)



Accessories (optional)



Dahua Technology Co., Ltd. 1187BinAn Road, Binjiang District, Hangzhou, China
Tel: 66956096-09126017817-09107616575
email:imensazaa@gmail.com
www.irandahua.com