

DH-CA-FW191D-B

Mega-HDIS Day/Night Water-proof IR-Bullet Camera



Features

- 1/3" 1.3Mega HDIS
- High resolution of 800TVL
- Day/Night(ICR), AWB, AGC, BLC, 3DNR
- 6mm fixed lens (2.8 mm, 3.6mm, 8mm optional)
- Max. IR LEDs length 30m, Smart IR
- IP66, DC12V

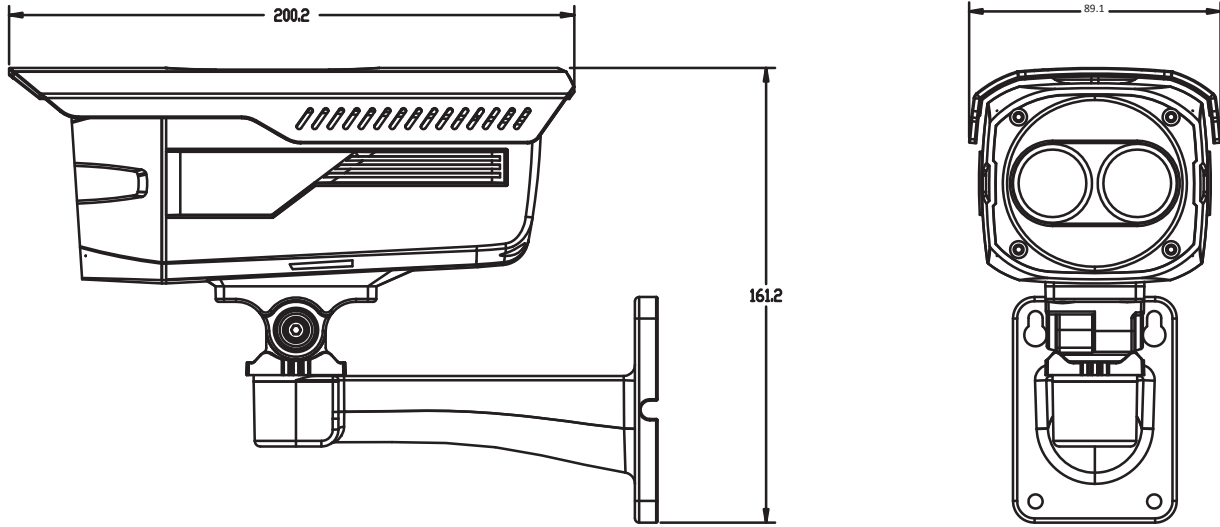
DH-CA-FW191D-B

Technical Specifications

Model	DH-CA-FW191DP-B	DH-CA-FW191DN-B
Camera		
Image Sensor	1/3" 1.3Mega HDIS	
Effective Pixels	1280(H)×960(V)	
Horizontal Resolution	800TVL	
Electronic Shutter	4/25s~1/45,000s	4/30~1/54,000s
Synchronization	Internal	
Min. Illumination	0.01Lux@F1.2(AGC ON), 0Lux IR on	
S/N Ratio	More than 65dB(AGC Off)	
Video Output	1Vp-p Composite Output (75Ω/BNC)	
Camera Features		
Max. IR LEDs Length	30m, Smart IR	
Day/Night	Auto(ICR) / Color / B/W	
Backlight Compensation	BLC	
White Balance	Auto	
Gain Control	Auto	
Noise Reduction	2D/3D	
Lens		
Focal length	6mm (2.8 mm, 3.6mm, 8mm optional)	
Angle of View	H: 46.5° (89° /70° /35°)	
Mount Type	M12	
General		
Power Supply	DC12V±10%	
Power Consumption	Max 5.5W	
Working Environment	-40°C~+60°C / 20%~80%RH	
Ingress Protection	IP66	
Dimensions(W×D×H)	200.2mm×89.1mm×161.2mm	
Weight	0.58kg	
Others	Default: bracket included	

DH-CA-FW191D-B

Dimensions (mm)



Dahua Technology Co., Ltd. 1187BinAn Road, Binjiang District, Hangzhou, China
Tel: 66956096-09126017817-09107616575
email:imensazaa@gmail.com
www.irandahua.com