

DH-CA-DB581B

700TVL Day/Night WDR Vandal-proof Dome Camera



Features

- > 1/3" SONY Super HAD CCD II & Effio-P DSP
- > High resolution of 700TVL(Color), 750TVL(B/W)
- > WDR, Day/Night(ICR), DNR (2D&3D), Auto iris, AWB, AGC,BLC, MD, DZOOM, DIS, Privacy Masking, Picture Adjustment
- > 4.0-9.0mm varifocal lens (2.8~12mm optional)
- > OSD, IP66, IK10, DC12V (-A model: DC12V/AC24V dual power supply)

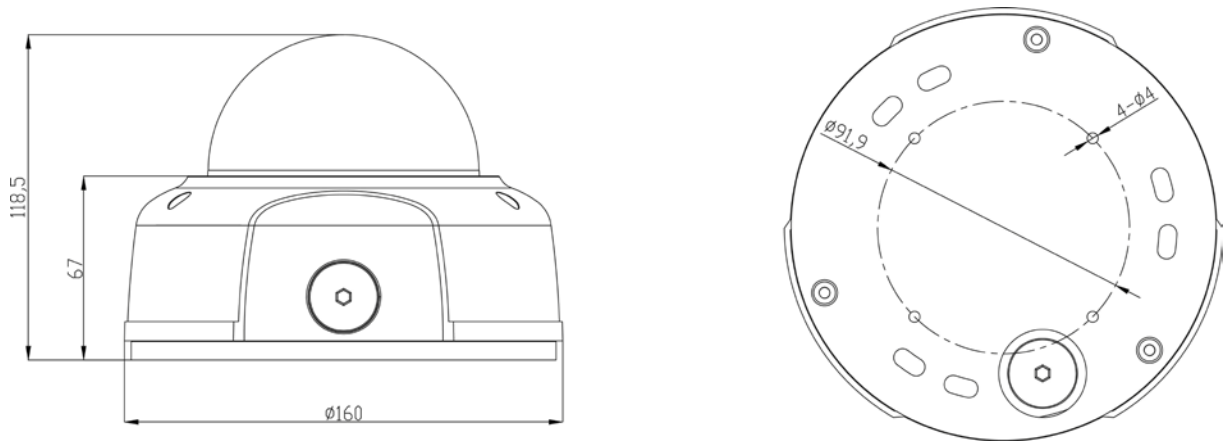
DH-CA-DB581B

Technical Specifications

Model	DH-CA-DB581BP(-A)	DH-CA-DB581BN(-A)
Camera		
Image Sensor	1/3" Super HAD CCD II	
Effective Pixels	976(H) x 582(V), 570K pixels	976(H) x 494(V), 480K pixels
Horizontal Resolution	Color: 700TVL, B/W: 750TVL	
Electronic Shutter	1/50s~1/100,000s, 10s~1/100,000s@Slow shutter, 512x	1/60s~1/100,000, 8s~1/100,000s@Slow shutter, 512x
Synchronization	Internal / External	
Min. Illumination	Color: 0.001Lux@F1.2, 0.0001Lux@F1.2(Slow shutter, 512x)	
	B/W: 0.0001Lux@F1.2, 0.00001Lux@F1.2(Slow shutter, 512x)	
S/N Ratio	>60dB	
Video Output	1Vp-p Composite Output (75Ω/BNC)	
Camera Features		
OSD	English, Chinese	
Day/Night	Auto (ICR) / Color / B/W	
Backlight Compensation	BLC / HLC / WDR (75dB)	
White Balance	Auto Trace WB1 / Auto Trace WB2 / Manual / Auto	
Gain Control	Auto / Manual	
Noise Reduction	2D / 3D	
Privacy Masking	Up to 4 areas	
Digital Zoom	Magnitude / Horizontal / Vertical	
Picture Adjustment	Mirror / Brightness / Contrast / Sharpness / Hue / Gain / Slow Shutter	
Lens		
Focal Length	4.0~9.0mm (2.8~12mm optional)	
Focus Control	Manual	
Lens Type	Manual / Auto iris	
Mount Type	Φ14	
General		
Power Supply	DC12V±10% (-A model: DC12V/AC24V dual power supply)	
Power Consumption	Max 3.5W	
Working Environment	-30°C~+60°C / 20%~80%RH	
Protection Level	IK10 & IP66	
Dimensions	Φ160 mm×118.5mm	
Weight	980g (-A: 1000g)	

DH-CA-DB581B

Dimensions (mm)



Dahua Technology Co., Ltd. 1187BinAn Road, Binjiang District, Hangzhou, China
Tel: 66956096-09126017817-09107616575
email:imensazaa@gmail.com
www.irandahua.com