

## DH-CA-D480B

---

### 700TVL Dome Camera



### Features

- 1/3" SONY EXview HAD CCD II & Effio-E DSP
- High resolution of 700TVL
- DWDR, Day/Night, Auto iris, AWB, AGC, BLC, MD, Privacy Masking, Picture Adjustment
- 2.8~12mm vari-focal lens
- OSD, DC12V(-A model: DC12V/AC24V dual power supply)

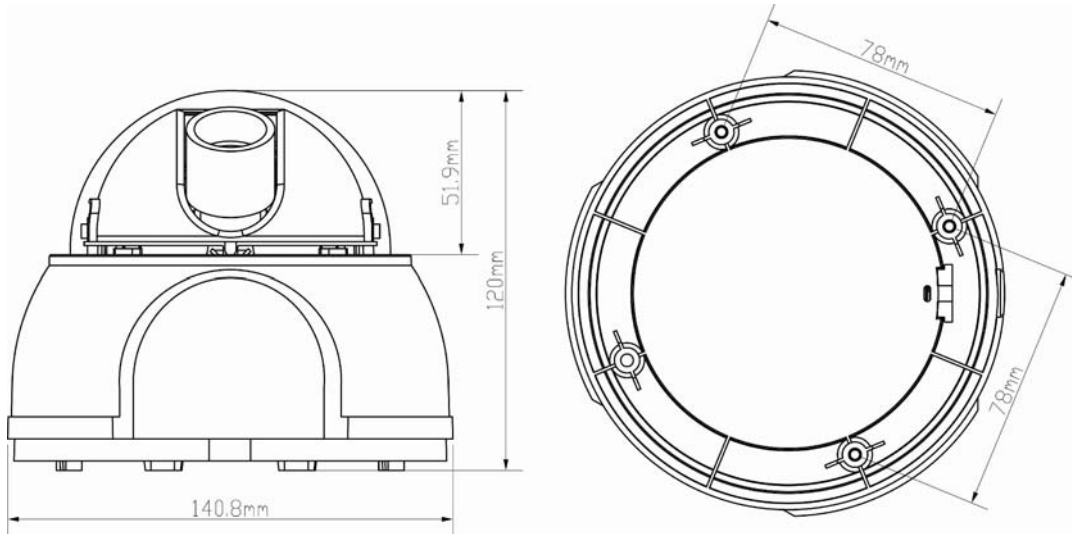
# DH-CA-D480B

## Technical Specifications

| Model                  | DH-CA-D480BP   | DH-CA-D480BN               |
|------------------------|--|----------------------------|
| <b>Camera</b>          |  |                            |
| Image Sensor           | 1/3" EXview HAD CCD II   |                            |
| Effective Pixels       | 976(H)×582(V), 570K pixels   | 976(H)×494(V), 480K pixels |
| Horizontal Resolution  | 700TVL   |                            |
| Electronic Shutter     | 1/50s~1/100,000s   | 1/60s~1/100,000s           |
| Synchronization        | Internal   |                            |
| Min. Illumination      | 0.001Lux@F1.2<br>0.0014Lux@F1.4  |                            |
| S/N Ratio              | > 65dB   |                            |
| Video Output           | 1Vp-p Composite Output (75Ω/BNC)   |                            |
| <b>Camera Features</b> |  |                            |
| OSD                    | English, Chinese, French, German, Russian, Spanish, Portuguese, Japanese |                            |
| Day/Night              | Auto(Electronic) / Color / B/W   |                            |
| Backlight Compensation | BLC / HLC / DWDR   |                            |
| White Balance          | Auto Trace WB1 / Auto Trace WB2 / Manual / Auto                          |                            |
| Gain Control           | Auto / Manual  |                            |
| Noise Reduction        | 2D   |                            |
| Privacy Masking        | Up to 4 areas  |                            |
| Picture Adjustment     | Mirror / Brightness / Contrast / Sharpness / Hue / Gain                  |                            |
| <b>Lens</b>            |  |                            |
| Focal Length           | 2.8~12mm   |                            |
| Angle of View          | H: 90° ~28°  |                            |
| Focus Control          | Manual   |                            |
| Lens Type              | Manual / Auto Iris   |                            |
| Mount Type             | Φ14  |                            |
| <b>General</b>         |  |                            |
| Power Supply           | DC12V±10% (-A model: DC12V/AC24V dual power supply)                      |                            |
| Power Consumption      | Max 3W   |                            |
| Working Environment    | -30°C~+60°C / 20%~80%RH  |                            |
| Dimensions             | Φ140.8mm×120mm   |                            |
| Weight                 | 0.4kg (-A: 0.45kg)   |                            |

## DH-CA-D480B

### Dimensions (mm)



---

Dahua Technology Co., Ltd. 1187BinAn Road, Binjiang District, Hangzhou, China  
Tel: 66956096-09126017817-09107616575  
email:imensazaa@gmail.com  
www.irandahua.com