

DH-CA-DW480C

700TVL Waterproof IR Dome Camera



Features

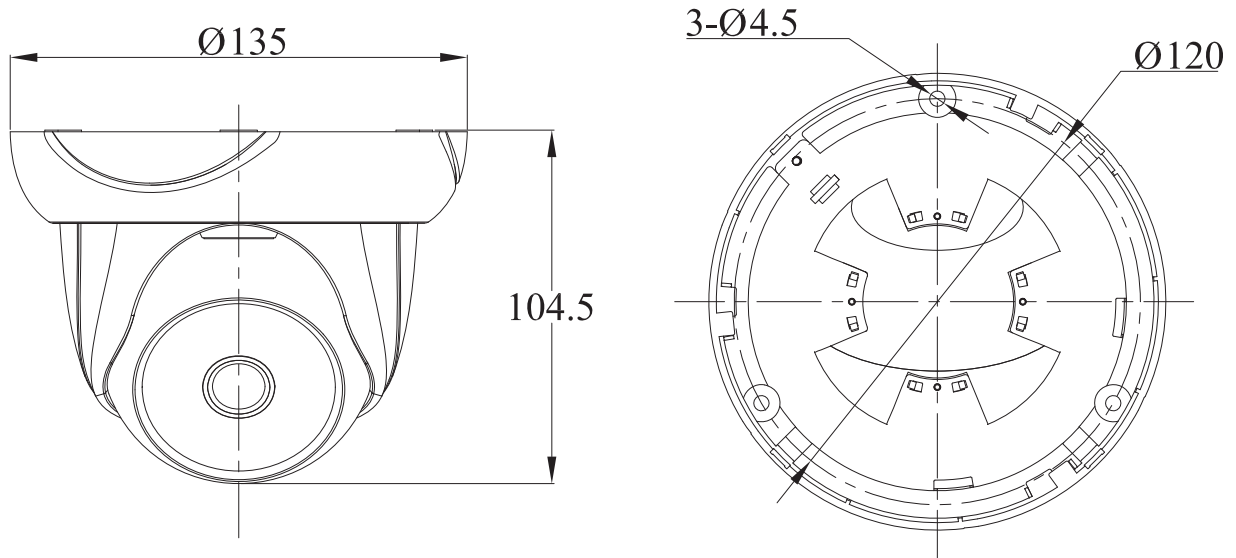
- 1/3" SONY EXview HAD CCD II & Effio-E DSP
- High resolution of 700TVL
- Day/Night, AGC, AWB, BLC
- 3.6mm fixed lens (2.8mm, 6mm, 8mm, 12mm, 16mm optional)
- Max. IR LEDs length 50m
- IP66, DC12V

DH-CA-DW480C

Technical Specifications

Model	DH-CA-DW480CP	DH-CA-DW480CN
Camera		
Image Sensor	1/3" EXview HAD CCD II	
Effective Pixels	976(H) x 582(V), 570K pixels	976(H) x 494(V), 480K pixels
Horizontal Resolution	700TVL	
Electronic Shutter	1/50s~1/100,000s	1/60s~1/100,000s
Synchronization	Internal	
Min. Illumination	0.001Lux@F1.2 (0Lux IR LED On)	
S/N Ratio	>65dB	
Video Output	1Vp-p Composite Output (75Ω/BNC)	
Camera Features		
Max. IR LEDs Length	50m	
Day/Night	Auto(Electronic) / Color / B/W	
Backlight Compensation	BLC	
White Balance	Auto	
Gain Control	Auto	
Lens		
Focal length	3.6mm (2.8mm, 6mm, 8mm, 12mm, 16mm optional)	
Angle of View	H: 70° (89° /46.5° /35° /22.4° /16.8°)	
Mount Type	M12	
General		
Power Supply	DC12V±10%	
Power Consumption	Max 7W	
Working Environment	-30°C~+60°C / 20%~80%RH	
Ingress Protection	IP66	
Dimensions	Φ135mm × 104.5mm	
Weight	0.6kg	

DH-CA-DW480C



Dahua Technology Co., Ltd. 1187BinAn Road, Binjiang District, Hangzhou, China

Tel: 66956096-09126017817-09107616575

email:imensazaa@gmail.com

www.irandahua.com