

DH-CA-FW481E

700TVL Day/Night Waterproof IR Camera



Features

- 1/3" SONY Super HAD CCD II & Effio-E DSP
- High resolution of 700TVL(Color)
- DWDR, Day/Night(ICR), DNR(2D&3D), AWB, AGC,BLC, MD, Privacy Masking, Picture Adjustment
- 2.7~9mm varifocal motorized lens
- IR LEDs length 50m, Smart IR
- OSD, IP66, DC12V
- Coaxial Control

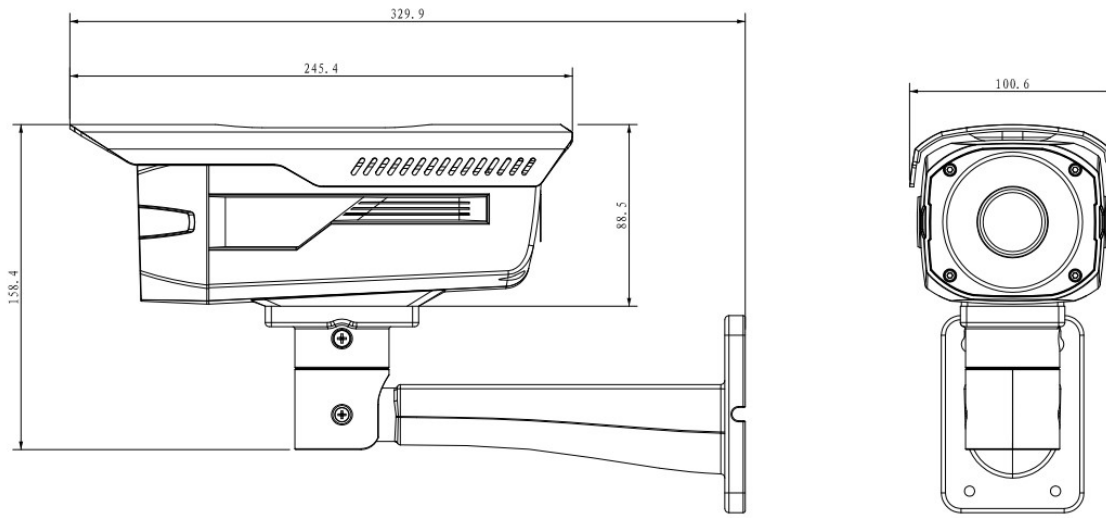
DH-CA-FW481E

Technical Specifications

Model	DH-CA-FW481EP	DH-CA-FW481EN
Camera		
Image Sensor	1/3" Super HAD CCD II	
Effective Pixels	976(H) x 582(V), 570K pixels	976(H) x 494(V), 480K pixels
Horizontal Resolution	700TVL	
Electronic Shutter	1/50s~1/100,000s	1/60s~1/100,000s
Synchronization	Internal	
Min. Illumination	0.001Lux@F1.2(0Lux IR LED on)	
S/N Ratio	> 65dB	
Video Output	1Vp-p Composite Output (75Ω/BNC)	
Camera Features		
Max. IR LEDs Length	50m, Smart IR	
OSD	English, Chinese, French, German, Russian, Spanish, Portuguese, Japanese	
Day/Night	Auto(ICR) / Color / B/W	
Backlight Compensation	BLC / HLC / DWDR	
White Balance	Auto Trace WB1 / Auto Trace WB2 / Manual / Auto	
Gain Control	Auto / Manual	
Noise Reduction	2D/3D	
Privacy Masking	Up to 4 areas	
Picture Adjustment	Mirror / Brightness / Contrast / Sharpness / Hue / Gain	
Lens		
Focal Length	2.7~9mm motorized lens	
Focus Control	Auto	
Lens Type	Motorized	
Mount Type	Φ14	
General		
Power Supply	DC12V±10%	
Power Consumption	Max 8.7W	
Working Environment	-30°C~+60°C / 20%~80%RH	
Ingress Protection	IP66	
Dimensions(W×D×H)	329.9mm × 98.5mm × 100.6mm	
Weight	1100g	
Others	Default: bracket included	

DH-CA-FW481E

Dimensions (mm)



比例 1:2

Dahua Technology Co., Ltd. 1187BinAn Road, Binjiang District, Hangzhou, China
Tel: 66956096-09126017817-09107616575
email:imensazaa@gmail.com
www.irandahua.com